

OptoLink Dualway Water-Blocked Fibre Penetrator



The MacArtney OptoLink fibre penetrator is specifically designed to withstand the challenges of system infrastructure at depths of up to 11,200 metres. Its unique depth rating also means that integrity is certified for the entire global ocean floor, with +20 % in safety margin.

The MacArtney fully water-blocked penetrator design is extremely versatile. It is available with standard interface M22 x 1.5 - 6g. Adapters are available for 5/8" thread or FCR. The FCR is available with straight, angled or custom-made housing. These housings are interchangeable and can be replaced should customer requirements change over time.

The OptoLink fibre penetrator is designed with a boot seal to protect against cathodic debonding.

Features and benefits

- 11,200 metres standard depth rating, fully water-blocked
- Boot sealed to protect against cathodic debonding
- Wide range of available housing types
- Interchangeable housings
- Stock and service at various MacArtney locations worldwide

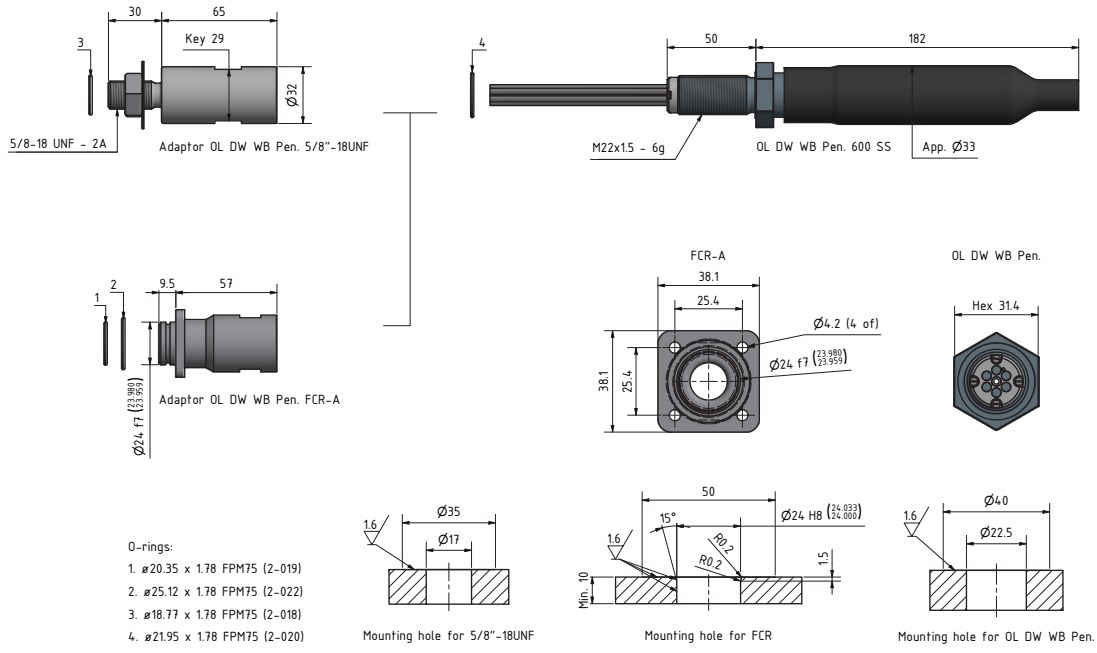
Applications

- ROV, ROTV and AUV systems
- Fibre optic video and data multiplexers
- Cable ploughs
- Acoustic ranges
- Fibre optic riser fatigue systems
- Renewable energy applications
- General underwater communication applications
- Subsea completion systems

Options

- Can be ordered with pigtail length 0.5 up to 2 metres
- Various shell materials available
- Certified pressure testing of assemblies or components
- Can be mounted on customer cable on request

Terminated by MacArtney only.



Specifications

Material specifications

Metal shell housing: AISI 316 (other on request)
O-rings: FPM 75

Connector specifications

Qualified pressure tested: 14,000 m (fully water-blocked)
Depth rating: 11,200 m (fully water-blocked)
Temperature rating: Storage: -40° C/+70° C
Operational: -20° C/+50° C

Optical specifications (single mode)

Wavelength: Within single-mode range
Attenuation: -0.5 to 0.7 dB (typical)
Max IMCL. variation -2.5 dB
Fibre types: 9/125 μ m ITU-T G657.B2
Optical passes: Up to 7 passes
(with adapters, 4 passes)
Pigtails: 0.5 - 2 m pigtail
(ST-con as standard; other options available on request)

Subject to change without notice. Visit MacArtney.com for latest revision